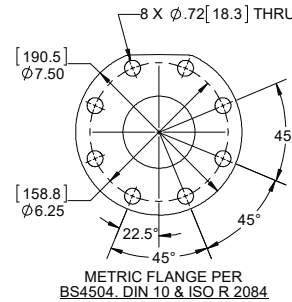
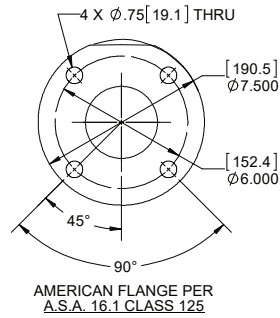
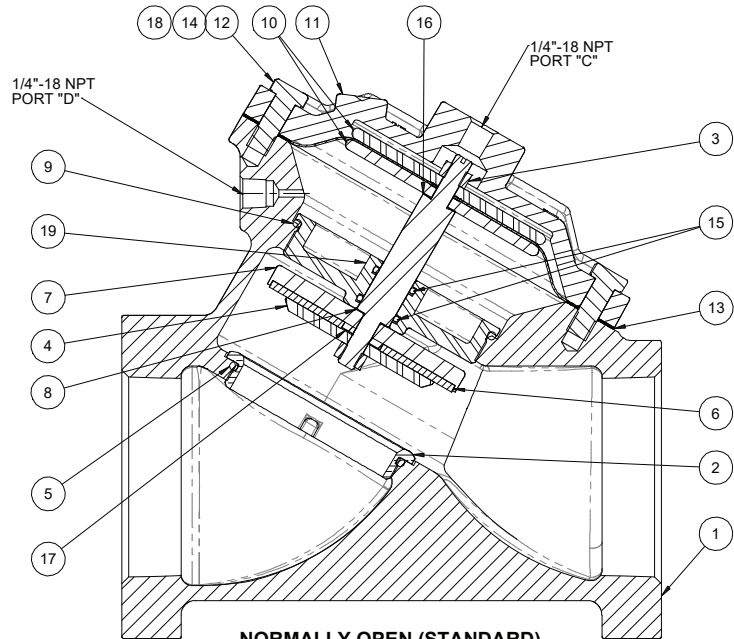


1070043 (V42J-0000-00000)  
3" NPT ENDS

1070044 (V42J-3000-00000)  
FLANGED ENDS



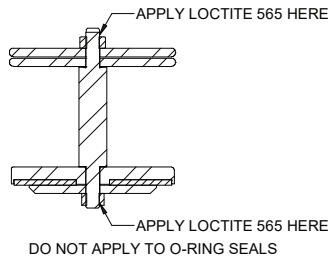
- NOTE:
1. AMERICAN NATIONAL STANDARD TAPER PIPE THREADS (NPT) PER ANSI B2.1-1968
  2. VALVES AVAILABLE WITH B.S.P. OR J.I.S. END CONNECTIONS



**NORMALLY OPEN (STANDARD)**

SEE REVERSE SIDE FOR  
CONFIGURATION OPTIONS

TORQUE CHART		
ITEM #	DESCRIPTION	TORQUED TO (+/- 10%)
2	SEAT	500 IN/LBS (41.6 FT/LBS)
3	UPPER NUT	140 IN/LBS
3	LOWER NUT	140 IN/LBS
12,14,&18	NUT, HEX SCREW	140 IN/LBS
19	SHAFT GUIDE	500 IN/LBS (41.6 FT/LBS)



ITEM NO.	DESCRIPTION	STD	PART NUMBER	QTY.
1	BODY, 427, 3" NPT THREAD	CI *	1074446 (427-AS)	1
	VALVE BODY, 427,FLGD,ASTM	CI *	1074438 (427-AF)	
	BODY, 427, 3" NPT THREAD	BRASS	1074449	
2	SEAT, 427, MACHINING	BRASS *	1074505 (427-MO)	1
3	NUT, HEX, 5/16"-24	SS *	1263853 (NUS-0013)	2
4	DISC PLATE, 427	SS *	1074495 (427-KS)	1
5	O-RING, 2-233	BUNA *	1071706 (ORB-233)	1
	O-RING, -233	EPDM	1071754 (ORE-237)	
	O-RING, ORV-233	FKM	1071826 (ORV-233)	
6	DISC, 427	BUNA *	1074487 (427-J)	1
	DISC, 427	EPDM	1074489 (427-JE)	
	DISC, 427	FKM	1074492 (427-JV)	
	DISC, 427	HYCAR	1074490 (427-JH)	
7	DISC HOLDER	BRASS *	1074485 (427-HO)	1
8	GASKET, .62" ODX.317"ID	COPPER *	1074252 (424-R)	2
9	O-RING (NITRILE), 2-237	BUNA *	1071708 (ORB-237)	1
	O-RING, EPDM -237	EPDM	1071755 (ORE-237)	
	O-RING, FKM	FKM	1071828 (ORV-237)	
10	PLATE, UPPER DIAPHRAGM	SS	1074472 (427-DA)	2
11	CAP, 427, MACHINING	CI *	1074454 (427-C)	1
	CAP, 427, MACHINING	BRASS	1074457 (427-CB)	
12	SCREW, 3/8-16 X 1 1/2", HX HD	PLTD STL *	1072405 (SCZ-0025)	6
13	DIAPHRAGM SERIES 427	FKM	1074477 (427-FV)	1
	DIAPHRAGM SERIES 427	BUNA	1074475 (427-FB)	
14	HEX NUT, 3/8-16	PLTD STL *	1071658 (NUZ-0014)	6
15	O-RING, 2-114, TFLN CTD	BUNA *	1071691 (ORB-114TC)	2
	O-RING, 2-114, TFLN CTD	EPDM	1071729 (ORB-114TC)	
	O-RINGS, 2-114	FKM	1242391 (ORV-114)	
16	SHAFT, 427, NO	SS	1074496 (427-L)	1
17	SPACER	BRASS *	1074382 (426-HA)	1
18	SCREW, HEX HD, 3/8-16X1,	SS *	19768	2
19	SHAFT GUIDE, MACHINING	SS *	1074479 (427-GASO)	1

DESCRIPTION	REPAIR PARTS KITS		
	PART NO.		
DIAPHRAGM & SEALS KIT CONSISTS OF ITEM NO'S 3(2), 5, 6, 8(2), 9, 14, 16	1070072 (427-RA)	1070085 (427-RAE)	1070097 (427-RAV)
	BUNA N INCLUDES DIAPHRAGM 1074475 (427-FB)	E.P.D.M. INCLUDES DIAPHRAGM 1074475 (427-FB)	FKM INCLUDES DIAPHRAGM 1074477 (427-FV)
INT. PARTS KIT (NORM. OPEN) CONSISTS OF STANDARD ITEM NO'S 4, 7, 10, 11(2), 17, 18	1070122 (427-RF)		
SEAT (ITEM NO. 2)	1074505 (427-MO)107		

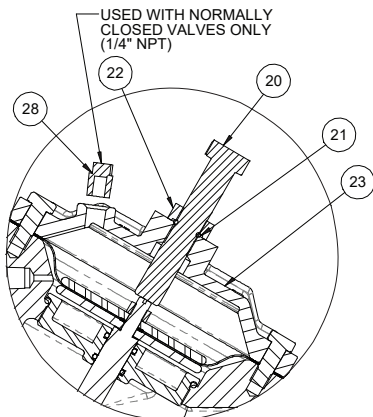
ASSEMBLY TOOLS	
DESCRIPTION	PART NO.
FOR INSTALLATION & REMOVAL OF SHAFT GUIDE (ITEM #10) (NOT SHOWN)	1-1/8" HEX SOCKET

COMPONENTS / ASSEMBLIES TO BE COMPLIANT AND COMPATIBLE WITH EUROPEAN UNION DIRECTIVE 2011/65/EC (RoHS2) & REGULATION (EC)1907/2006 (REACH) REQUIREMENTS

THIRD ANGLE PROJECTION			
APPROVALS	DATE	TITLE	
DRAWN	SM	05/10/11	
APPROVED			
CHECKED			
DO NOT SCALE DRAWING. DIMS. ARE IN INCHES (mm) INTERPRET DIMS AND TOLERANCES PER ASME Y14.5M -2009 UNLESS OTHERWISE SPECIFIED: ALL FINISHED MACHINED SURFACES 125 ✓ OR BETTER. TOLERANCES: ANGLES: ± 1° 1 PLACE XX: ± .015 (0.38) 2 PLACE XX: ± .01 (0.3) 3 PLACE XXX: ± .005 (0.13)	SCALE	C	DWGNO. 1077617
	1:2		REV R

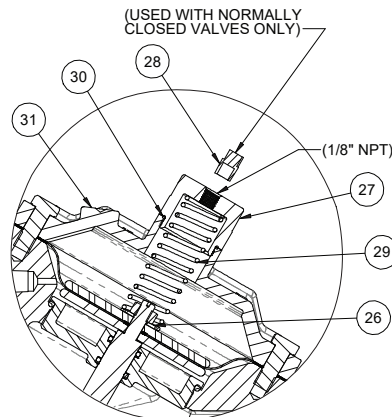
CATALOG SHEET, 427  
DIAPHRAGM VALVE STANDARD MODEL

SHEET 1 OF 2



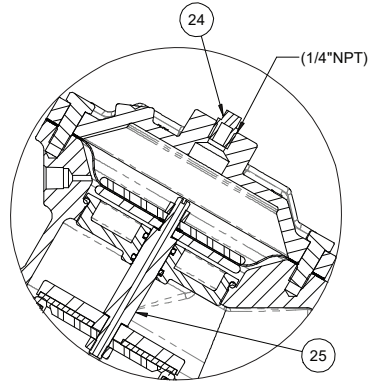
1073045 (V42J-0010-00000) (THREADED)  
1073103 (V42J-3010-00000) (FLANGED)

**LIMIT STOP**



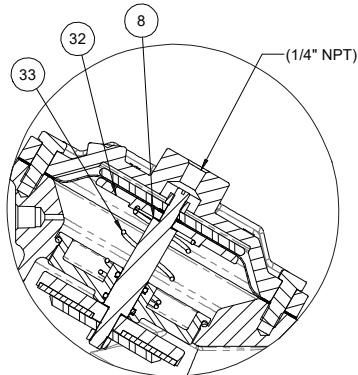
1073047 (V42J-0002-00000) (THREADED)  
1073100 (V42J-3002-00000) (FLANGED)

**SPRING ASSIST CLOSED**



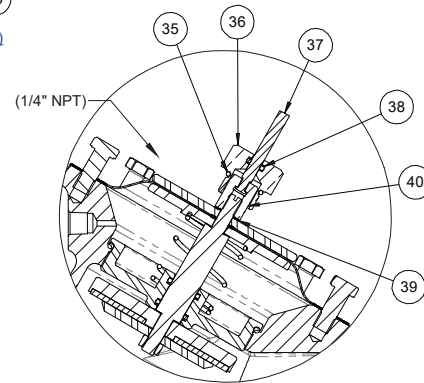
1073055 (V42J-0030-00000) (THREADED)  
1073113 (V42J-3030-00000) (FLANGED)

**NORMALLY CLOSED**



1073045 (V42J-0002-00000) (THREADED)  
1073097 (V42J-3001-00000) (FLANGED)

**SPRING ASSIST OPEN**



1073054 (V42J-0021-00000) (THREADED)  
1077374 (V42J-3021-00000) (FLANGED)

**POSITION INDICATOR**

ITEM NO.	DESCRIPTION	STD	PART NUMBER	QTY.
<b>LIMIT STOP MODEL</b>				
20	SCREW, 5/8-18X3.50 HEX HD,	SS	* 1072365 (SCS-0043)	1
21	O-RING,2-112	BUNA	* 1071690 (ORB-112)	1
22	NUT, LIMIT STOP	PLTD STL	* 1074434 (426-U)	1
23	CAP, 427, LS	BRASS	1074465	1
	CAP, 427,LS	CI	1074462 (427-CCC)	
<b>NORMALLY CLOSED MODEL</b>				
24	MALE PIPE PLUGS	PLTD STL	* 1071918 (PLZ-0008)	1
	MALE PIPE PLUGS	BRASS	1071904 (PLB-0009)	
25	MALE PIPE PLUGS	SS	1071915	1
	SHAFT, 427, NC	SS	* 1074499 (427-LL)	
<b>SPRING ASSIST CLOSED MODEL</b>				
26	WASHER	BRASS	* 1074083 (421-AH)	1
27	NUT, SPRG RTNR,425 & 465	SS	1074433	1
28	MALE PIPE PLUGS	PLTD STL	* 1071918 (PLZ-0008)	1
	MALE PIPE PLUGS	BRASS	1071904 (PLB-0009)	
29	MALE PIPE PLUGS	SS	1071915	1
	SPRING, COMPRESSION	SS	* 1078688 (426-SS)	
30	O-RING,2-025	BUNA	* 1071677 (ORB-025)	1
31	CAP, 427, SPRING ASSIST	CI	* 1074460 (427-CC)	1
	CAP, 427,SPRING ASSIST	BRASS	1074461	
<b>SPRING ASSIST OPEN MODEL</b>				
32	PLATE, DIAPHRAGM,427,SAO	SS	43733	1
33	SPRING, COMPRESSION	SS	1078692 (426-S)	1
<b>POSITION INDICATOR MODEL</b>				
34	CAP, 427,CI,NPT,PI	CI	* 1074468 (427-CF)	1
	CAP, 427, NPT, PI	BRASS	1074469	
35	O-RING,2-116	BUNA	* 1071692 (ORB-116)	1
36	PI ROD GDE, V42	BRASS	* 1074121 (421-GF)	1
37	SHAFT,427,MACH	SS	* 1074510 (427-PM)	1
38	O-RING,2-106,TFLN CTD	BUNA	* 1071688 (ORB-108TC)	1
39	LOCKWASHER,5/16",INTRNL TOOTH	SS	* 1073590 (WAS-0007)	1
40	TOP NUT	BRASS	* 1074332 (425-TB)	1

TORQUE TABLE		
ITEM #	DESCRIPTION	TORQUED TO (+/-10%)
22	NUT, LIMIT STOP	120 IN/LBS
27	NUT, RETAINER	140 IN/LBS
36	SHAFT GUIDE	140 IN/LBS
40	TOP NUT	120 IN /LBS

- NOTE:  
1. SPRING ASSIST CLOSED MODEL CANNOT BE COMBINED WITH LIMIT STOP OR POSITION INDICATOR MODELS.  
2. VALVES AVAILABLE WITH B.S.P. OR J.I.S. END CONNECTIONS.

SEE REVERSE SIDE FOR STANDARD NORMALLY OPEN MODEL

CONVERSION KITS		REPAIR PARTS KITS	
DESCRIPTION	PART NO.	DESCRIPTION	PART NO.
CONVERSION KIT (LIMIT STOP) CONSISTS OF STANDARD ITEM NO'S 20, 21, 22, 23	1074502 (427-LSC)	INT. PARTS KIT (LIMIT STOP) CONSIST OF STANDARD ITEM NO'S 20, 21,22	1074501 (427-LS)
CONVERSION KIT (SPRING ASSIST CLOSED) CONSISTS OF STANDARD ITEM NO'S 26 THRU 31	1074519 (427-SCC)	INT. PARTS KIT (NORM. CLOSED) CONSIST OF STANDARD ITEM NO'S 4,7,10,11(2),18,25	1070133 (427-RG)
CONVERSION KIT (SPRING ASSIST OPEN) CONSISTS OF STANDARD ITEM NO'S 8, 32, 33	1074521 (427-SO)	INT. PARTS KIT (SPRING ASSIST CLOSED) CONSIST OF STANDARD ITEM NO'S 26, 29, 30	1081565 (427-SC)
CONVERSION KIT (POSITION INDICATOR) CONSISTS OF STANDARD ITEM NO'S 34 THRU 40	1074509 (427-PIC)	INT. PARTS KIT (SPRING ASSIST OPEN) CONSIST OF STANDARD ITEM NO'S 8, 32, 33	1074521 (427-SO)
		INT. PARTS KIT (POSITION INDICATOR) CONSIST OF STANDARD ITEM NO'S 35 THRU 40	1074508 (427-PI)

COMPONENTS / ASSEMBLIES TO BE COMPLIANT AND COMPATIBLE WITH EUROPEAN UNION DIRECTIVE 2011/65/EC (RoHS2) & REGULATION (EC) 1907/2006 (REACH) REQUIREMENTS

THIRD ANGLE PROJECTION		APPROVALS	DATE	 <b>CATALOG SHEET, 427</b> <b>DIAPHRAGM VALVE STANDARD MODEL</b>
DRAWN	SM	05/10/11		
APPROVED				
CHECKED				
DO NOT SCALE DRAWING. DIMS. ARE IN INCHES (mm) INTERPRET DIMS AND TOLERANCES PER ASME Y14.5M - 2009 UNLESS OTHERWISE SPECIFIED: ALL FINISHED MACHINED SURFACES 125 ✓ / OR BETTER: TOLERANCES: ANGLES: ± 1° 1 PLACE XX: ± 0.015 (0.38) 2 PLACE XX: ± 0.01 (0.3) 3 PLACE XXX: ± 0.005 (0.13)	SIZE	C	DWGNO.	1077617
SCALE	1:2			REV R

SHEET 2 OF 2